



Express · Precision Fastening · Automation

OPERATION AND MAINTENANCE MANUAL

ITEM NO.: BLC-8010

ITEM NO.: BLC-8020









ITEM NO.: BLC-8030

BRUSHLESS FULL AUTO SHUT-OFF CORDLESS SCREWDRIVER



Before you use the Cordless Screwdriver for the first time, it is essential to read and understand the manual completely (including the spare parts view). The term “Cordless Screwdriver” in all of the warning listed below refers to your main operated appliance.

Icon Instructions

	1. Read instruction manual.
	2. Observe caution and safety notes.
	3. Recyclable.
	4. For indoor use only
	5. Do not expose to wet or rain conditions.
	6. Do not operate in an explosive atmosphere
	7. Do not disassemble
	9. CE certification.

Accessories

Item	Quantity	Unit
Manual	1	PCS
Torque Fixing Ring	1	PCS
Waist hook	1	PCS
Socket Extension	1	PCS

WARNING

Read all instructions and make sure the appearance of the device has no damage before use.

Failure to follow all instructions listed below may result in electric shock, fire and/or serious injury.

1. Keep tool in a clean working area away from moisture to decrease the risk of electric shock or short-circuiting.
2. Be alert to workplace safety
 - (1) Use the device in a well lit and clean environment.
 - (2) Keep children and other people away unless the person has been assigned for the task to avoid the danger of injury.
 - (3) Do not work with the device in potentially explosive environments in which there are flammable liquids, gases, dust, or other electrical power tools which create sparks.
 - (4) Do not use the device if you are tired or under the influence of drugs, alcohol or medication.
3. Store the device in a safe place when not in use.
4. Always use a screwdriver that is intended for the task you are undertaking. Do not overload or use it improperly such as drilling or tapping.
5. Dress properly. Do not wear loose clothing or jewelry while operating the tool to avoid danger.
6. By using the device correctly, make sure to hold it firmly with two hands in place before starting the trigger.
7. Unplug the charger when not in use.
8. Remove the battery from the device when it is not being used.
9. Use only the accessories that are detailed in the operating instructions. The use of others which are not recommended in the operating instructions may affect the functioning of the device. It could lead to an increased risk of personal injury as well.
10. To protect parts in gearbox from damage, replace the grease at least once every year.
11. It is necessary for the operators to read and follow up on all of the operating instructions in this manual. ASG is not responsible for any personal injury that may be caused due to disobeying these instructions.

Function of cordless protection

- | | |
|------------------------------------|------------------------------|
| ■ Over electric current protection | ■ Prevent from low power |
| ■ Thermal Protector | ■ Stall protection |
| ■ Slow rotation protection | ■ Reverse control protection |
| ■ Battery Identification | ■ Sleeping mode |

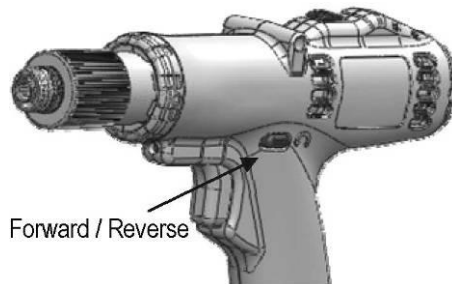
WARNING

Do not attempt to repair or disassemble this cordless screwdriver, the warranty will be considered void.

1. This rechargeable screwdriver requires maintenance. Make sure to remove the battery pack before maintaining or repairing the device by ASG.
2. Do not attempt to disassemble or reassemble the device, as it may result in poor performance or danger or injury.
3. Do not repair the device with other than genuine ASG replacement parts. Failure to do so may result in poor performance or danger of injury. The warranty will be considered void.
4. The temperature between 0°C ~ 35°C would be an ideal condition of carrying out the tasks with this device.

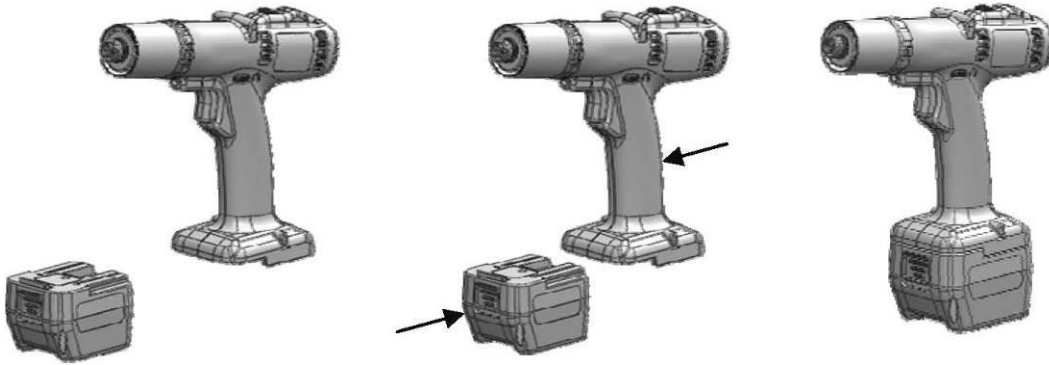
Operating instructions

1. Charge the battery in the charging station before first use to make sure operates at its highest capacity. To ensure operators against injuries, release the Forward/Reverse lever as arrow showing below into a center position to have trigger locked.



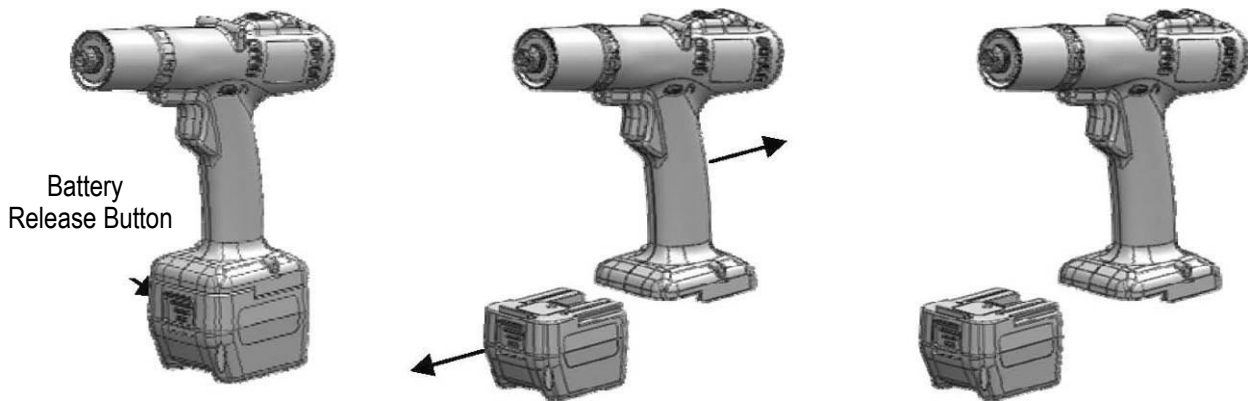
(2.1) The below illustration shows the process of correctly installing & disassembling the rechargeable battery. The audible beep sound and flash indicates the screwdriver's battery is installed correctly and the tool can be operated.

Insert Battery Steps



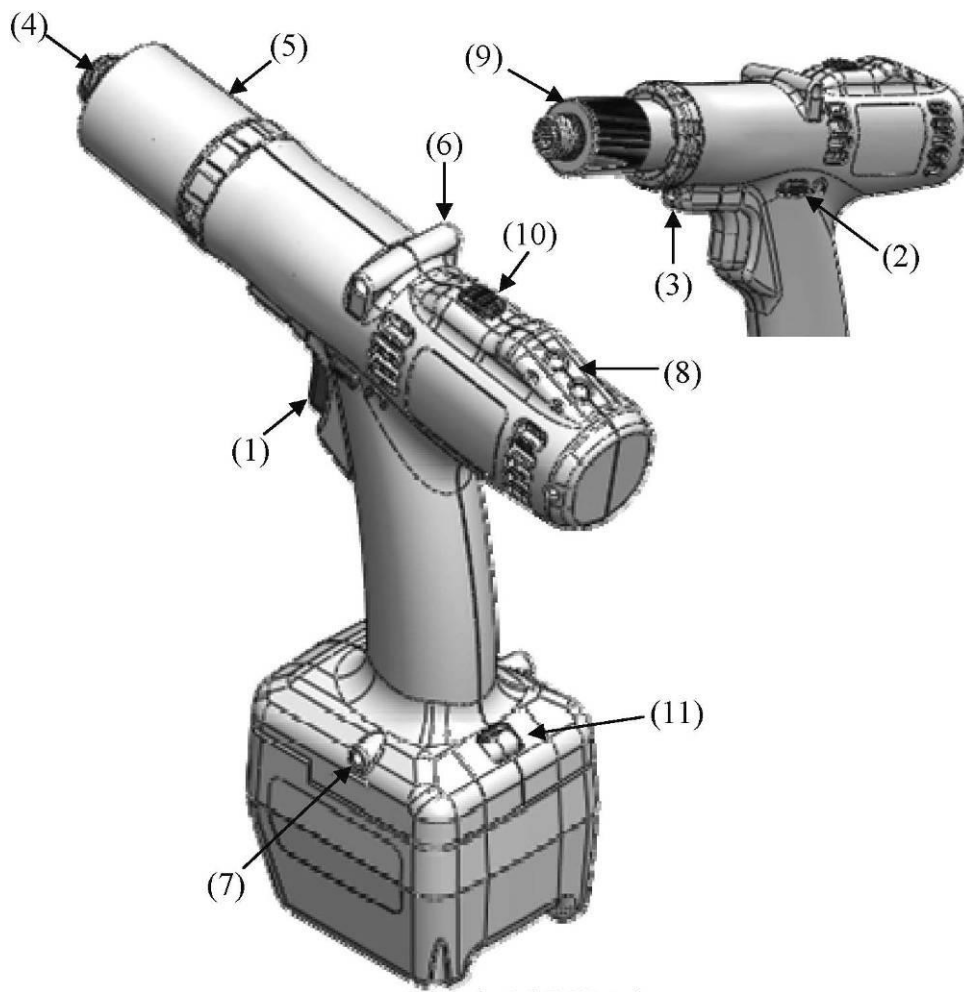
- (1) Insert the rechargeable battery into the device as shown by the arrow.
- (2) Assembled completely.

Remove Battery Steps



- | | | |
|--|---------------------------------|-------------------------|
| (1) Press the release button and take it out of the device | (2) Follow the arrow direction. | (3) Removed completely. |
|--|---------------------------------|-------------------------|

Functions



Function Name Table

No.	Description	No.	Description
(1)	Trigger Switch	(7)	S waist hook
(2)	Forward/Reverse Lever	(8)	Indication light
(3)	LED Light	(9)	Torque wrench
(4)	Bit Sleeve	(10)	Speed adjustment
(5)	Torque Ring	(11)	Wrist strap hole
(6)	Driver Hook Hole		

Operation

1. Full auto shut-off screwdriver

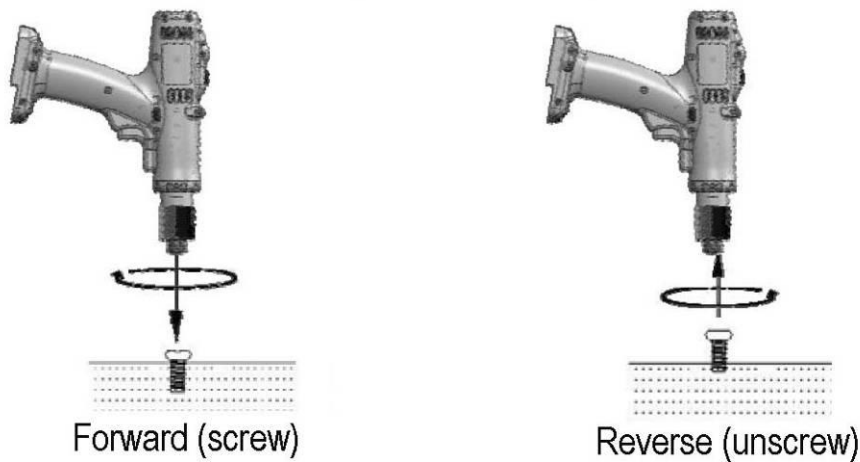
The screwdriver stops automatically when the screw has been tightened to the set-up torque level.

(1) Trigger switch

The LED lights are on when the trigger switch has been pressed approximately one-third down, and then the screwdriver starts functioning when the switch trigger has been pressed half way down; the driver it stops when the screw has been tightened to the set-up torque level.

(2) Forward / Reverse switch

When the switch is turned to the right as arrow indicates, the screwdriver will be fastening clock-wise; Vice versa, when the switch is turned to the left, the screwdriver will be operating counter-clockwise. As the diagram shows, always set the switch to neutral position when the screwdriver is not being used.

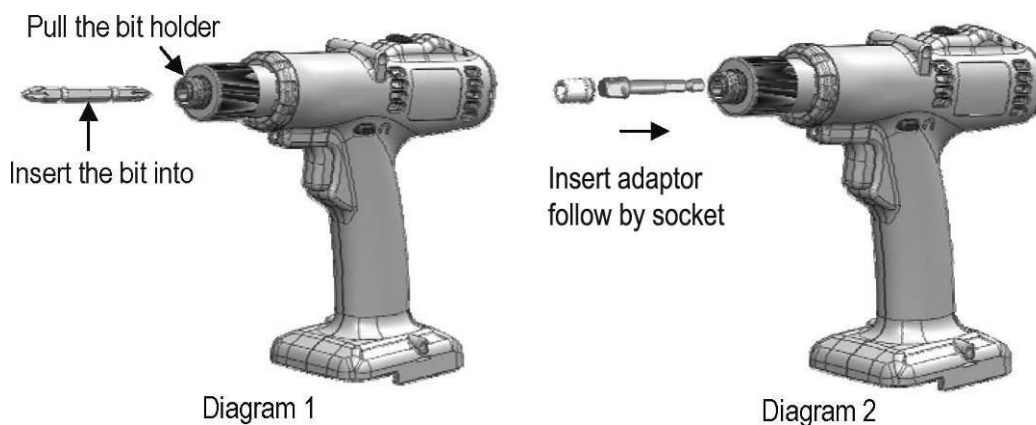


(3) LED light

While pressing the trigger, the LED lights up automatically.

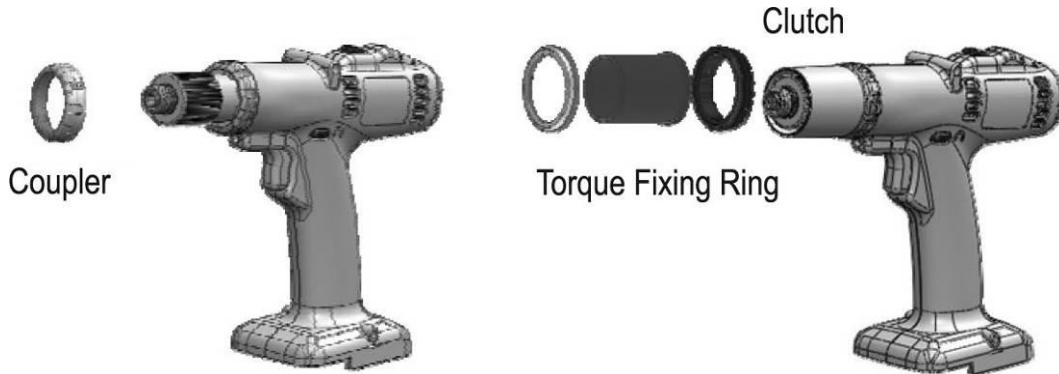
(4) Bit Sleeve

To insert the bit, pull the bit sleeve away from the tool, and slide in the bit. After installing the bit please install the torque cover as shown in the diagram below.



(5) Torque ring

- (a) Use the color torque rings to identify tools set to the same target torque.
- (b) Coupler: Fix housing and clutch.



(6) Driver Hook

It is convenient that the production lines are able to have spring balancers work together with the tools to be more efficiently.

(7) Waist hook

The waist hook allows users to carry the device easily by attaching it to their work belt.

(8) Functional light and the status indicator

Whenever the remaining power in the rechargeable battery is less than 20%, the red light will flash, but the tool is still functional. Once the remaining power is closer to 10% or lower it may result in poor performance.

LED and Buzzer	Reached adjustment torque	NG
LED Display	Green light on-off	Red light on-off
Buzzer	1 short alarm	1 long alarm

Low Battery LED Display & Buzzer	Capacity 20%↓(17.5V)	Capacity 10%↓(17V)
LED Display	Red light flicks	Red light turn on (Out of battery)
Buzzer	Non-stop B Short Buzzer	2 Short & 1 Long Buzzer
Screwdriver Action	Rotating	No Action

(9) Torque Adjustment Ring

The torque ring can be adjusted by turning it clockwise or counter-clockwise. 0 printed on the torque adjust ring indicates the minimum torque for setting and 8 for the maximum torque setting. Do not turn torque adjust ring lower than 0 or higher than 8 to avoid torque adjust ring getting stuck with clutch.

(10) Hi/Lo Switch

When the rotating speed needs to be changed, select the switch to Hi for the fastest rotation, and to Lo for slowest rotation. Tool may not shut off in low speed if the set torque is above 50% of the maximum torque.

Other Cautions

1. It is recommended to use the tool under 8 hours a day to not overload it.
2. According to operating frequency and torque loaded, we suggest adding lubricating oils in clutch every 3-6 months, and contact ASG for maintenance.
3. Do not attempt to repair or disassemble this cordless screwdriver without authorization. Always have the device serviced by ASG in order to have the warranty effective continually.
4. ASG is not responsible for any poor performance or damage caused by customers own modification of the tool.
5. Chemicals, Acetone, Benzene, Alcohol, Thinner, Ketone, trichloroethylene, etc shall not be in contact with the surface of the screwdriver in order to prevent chemical damage.
6. Please follow instruction carefully and do not drop or shock the screwdriver.
7. Do not turn the Hi/Lo switch during operation in order to cause system malfunction.
8. The device will not be able to function again once the OK/NG indicator/signal hasn't turned off.
9. During operation, if the switch has been changed accidentally the device will enable its self-protecting mode and power off. Re-start the tool in this instance.
10. ASG cordless screwdriver torque output is generated by clutch mechanism, and it is applicable to ISO 6789.

Description of Battery and Charger

1. Choose the suitable battery for your application:
 - A. BLC-8010 tool uses the BB-2020 battery
 - B. BLC-8020 tool uses the BB-2020 battery
 - C. BLC-8030 tool uses the BB-2020 battery
2. Choose the charger for your battery:
 - A. BB-2020 battery uses the BC-1020 charger
3. The use of other than genuine ASG batteries or screwdrivers cannot activate the tool due to the build-in protection system which enforces no charging without the certified part.
4. Please contact ASG customer service for more information.

Specifications

MODEL		BLC-8010	BLC-8020	BLC-8030
INPUT VOLTAGE(DC)		INPUT VOLTAGE(DC)		
Torque Range		1.0 ~ 3.5	3.0 ~ 9.0	6.0 ~ 12
Torque adjustment		Torque adjustment		
Unloaded Speed n0 (r/min)±10%	HI	2000	1000	880
	LO	1300	650	570
Screw size (mm)	Machine screw	4.0~5.0	5.0~6.0	≤6
Weight (Kg)		0.79kg (w/o battery)		
Length (mm)		217mm * 169 mm L * H w/o battery)		
Applicable battery		BB2020		
Applicable charger station		BC1020		
Applicable Bit type		¼ inch hex F		

Bits Code ~ B: Hex 6.35mm
Accessory ~ BIT

